

# Installation instructions for PZ4AL- 01159- 00

## Toyota Hilux

Under run protective shield for transmission case and transfer box



Model Year: 2011/06; 2010/08

Vehicle Code: KUN25L-DRMDHW  
KUN25L-DRMSHW  
KUN25L-PRMSHW

Part Number: PZ4AL-01159-00



Weight: 10.5 kg

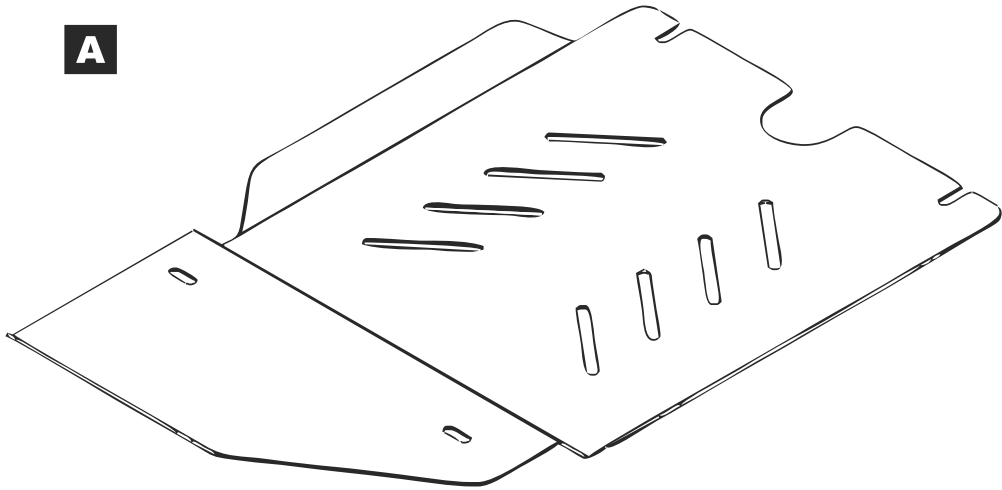


Installation Time: 20 min

Manual reference number: AIM 001 428-0

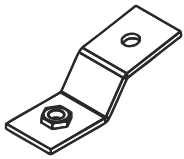
Part number: PZ4AL-01159-00

**A**



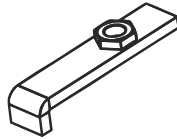
PZ4AL-01159-60

**B**



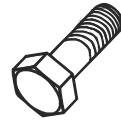
X 2

**C**



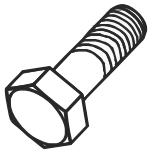
X 2

**D1**



2 x M 10x20

**D2**

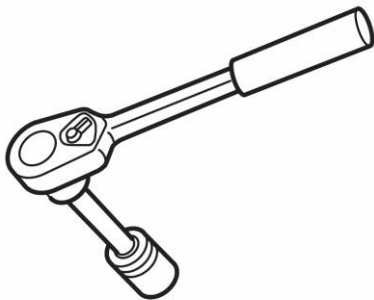


2 x M 10x70

**E**



4 x Ø10



Part number:  
PZ4AL-01159-00

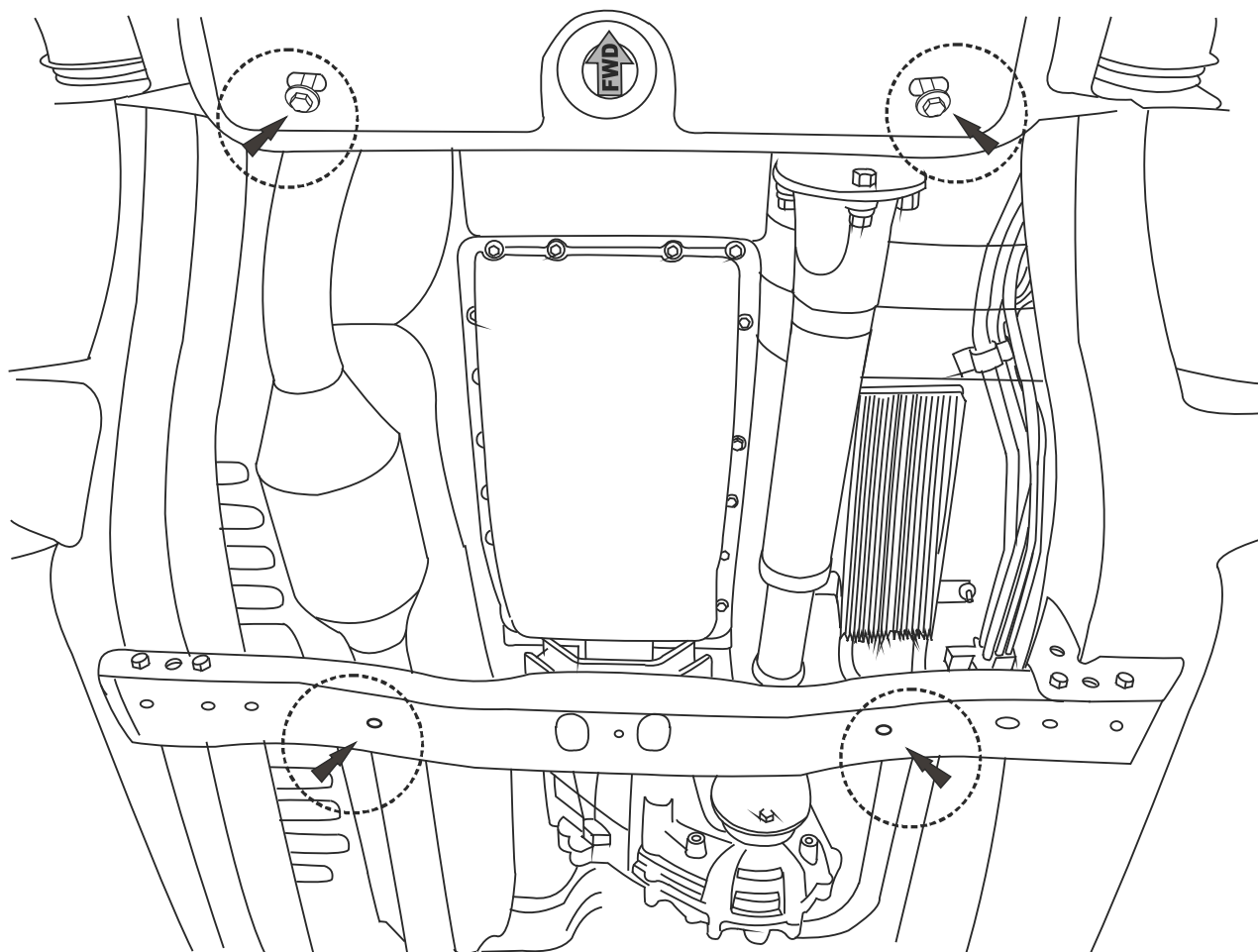
Issue:  
0

Date:  
11/11/08

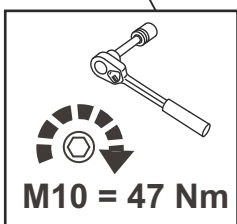
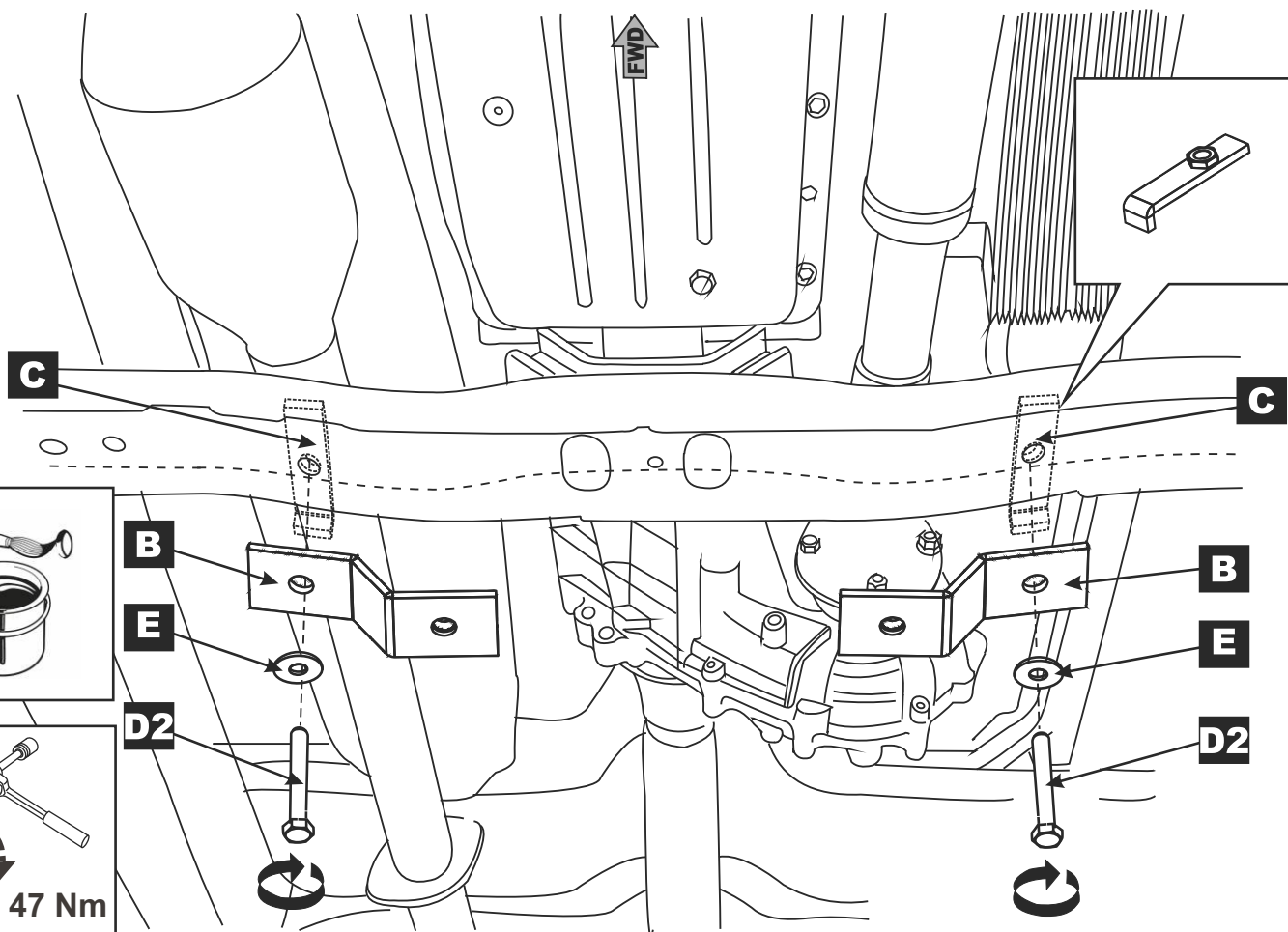
Manual reference number:  
AIM 001 428-0

Page:  
2/4

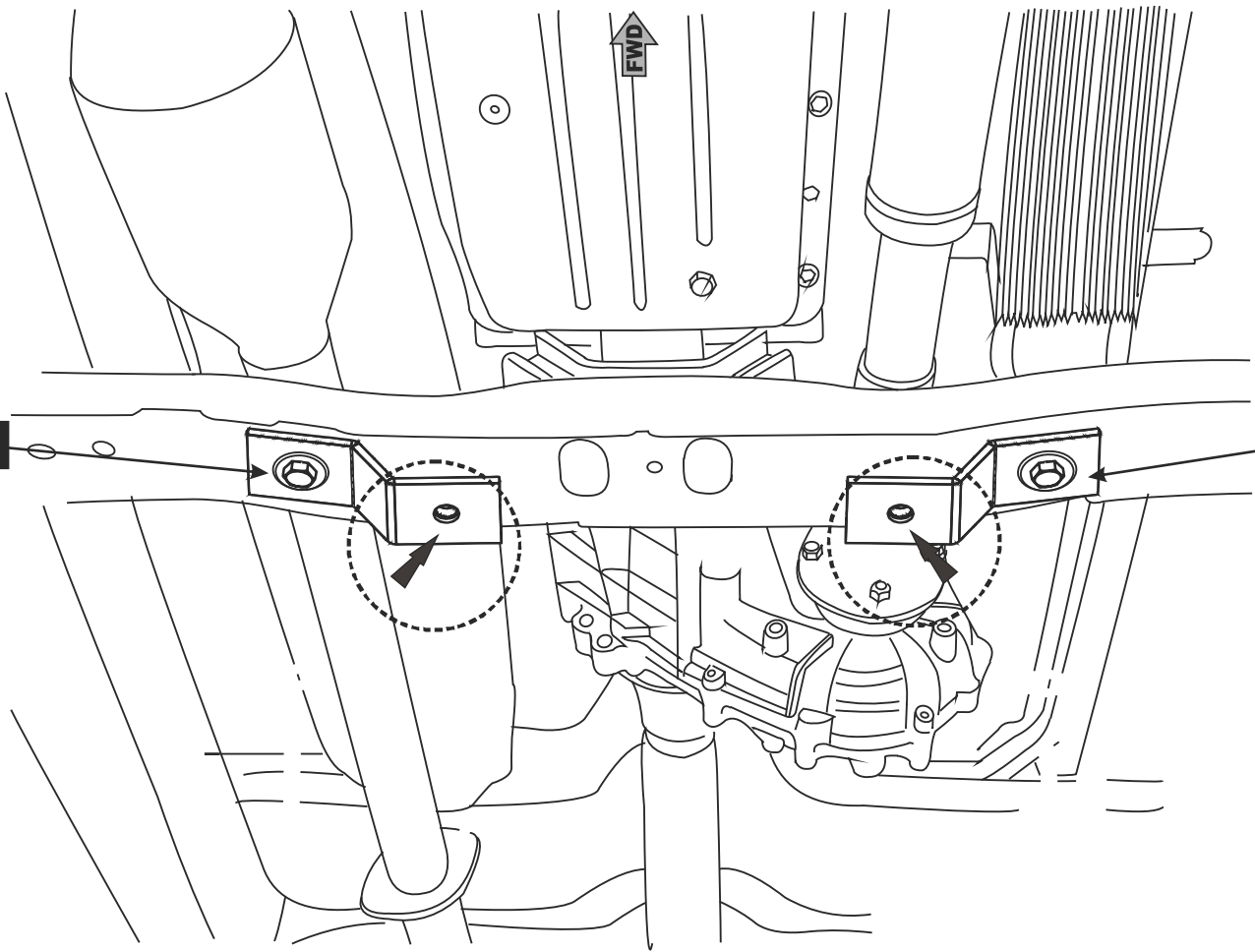
**1**



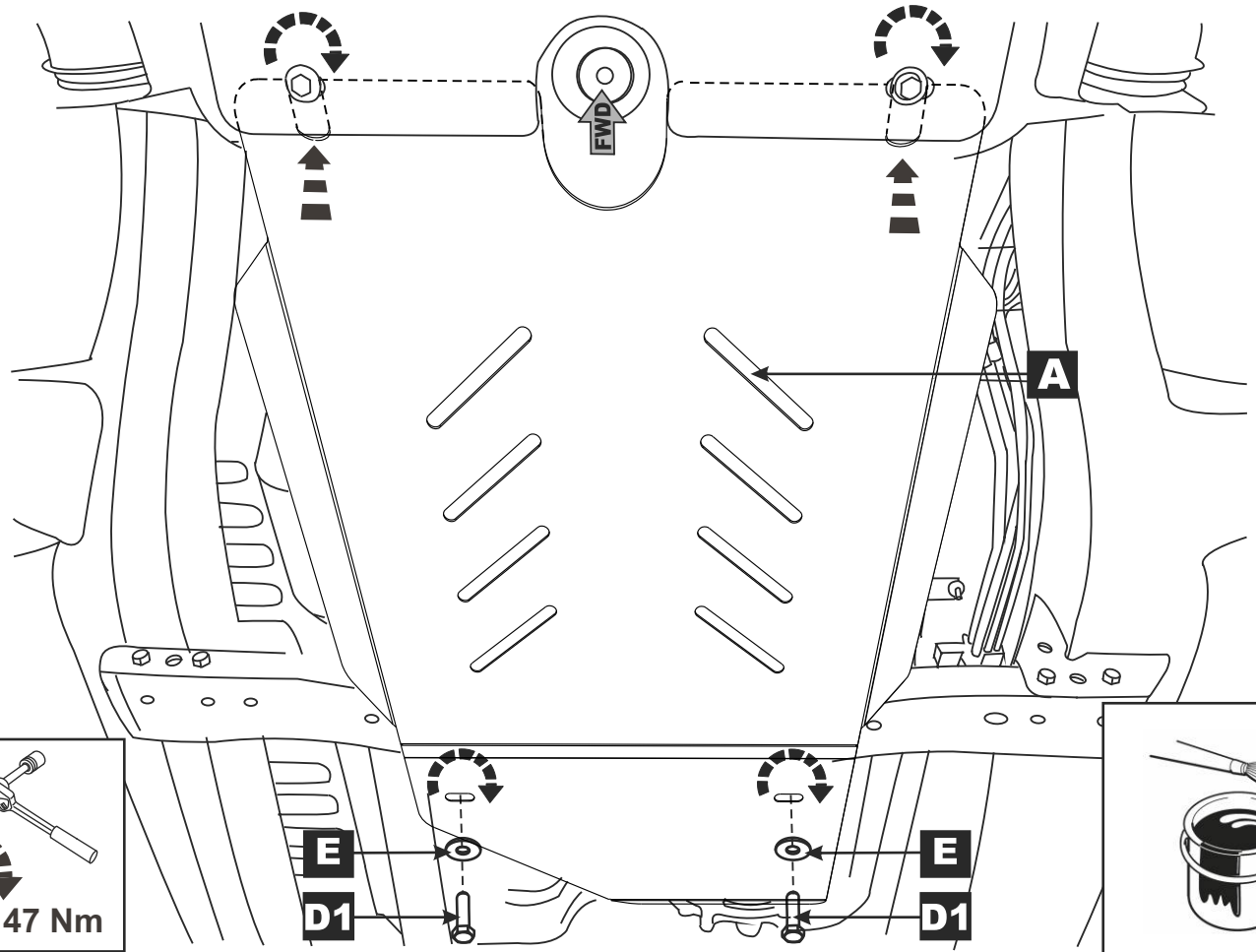
**2**

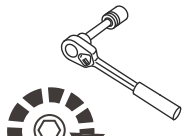


**3**



**4**



  
M10= 47 Nm

